



MADHUS
Garage Equipment

MADHUS

ER15

WHEEL BALANCER



**SPACE SAVING 3D
BALANCER WITH
TOUCHSCREEN**

MADHUS ER15

European Balancer at Indian Prices

- **Automatic gauge** to measure the distance and diameter of rims of up to 28"
- **Virtual Sonar for 3D** measurements of wheels that, in cases of metal rims and absence of sonar, calculates the width of the rim
- **AutoAdaptive Mode** - The new tolerance calculation system
- **12" Video Touchscreen** - intuitive, durable and easy to use
- Software programs for the professionals: **SPLIT, OPT, ALU**
- **ALU-S 3D Balancing mode** - Adhesive weights on the internal rim planes with specific counterweight position indicator
- **Laser Line** for inside weight positioning
- **LED Light** for easy placement of weight
- **Automatic approach** of the wheel within 15° from the point of application of the balancing weight, to allow the operator to position it correctly
- **VDD Virtual Direct Drive** - very quick and maintenance free measurement system **Patented**
- **Electromagnetic brake** for the lock of the wheel in the exact weight position



Virtual Sonar

Innovative 3d software that calculates rim width

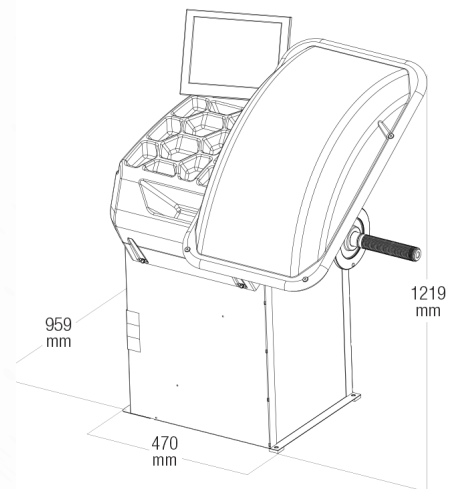


AutoAdaptive Mode

Innovative tolerance calculation system

TECHNICAL SPECIFICATION

Single phase power supply	115 / 230 V 50/60 Hz
Max. absorbed power	0,15 kW
Balancing speed	100 rpm
Measuring cycle for 15 kg wheel	4.7 s
Measurement uncertainty	0,5 g
Avarage noise	< 70 dB (A)
Rim width setting range	1.5" ÷ 20" / 40 ÷ 510 mm
Rim diameter setting range	10" ÷ 30" / 265 ÷ 765 mm
Max. wheel weight	< 75 kg
Machine weight	110 kg



Corporate Office:

46/2, Doddakallasandra, Konanakunte Cross, Kanakapura Road, Bangalore - 560 062
Phone: 080 4095 3488 Email: madhus@madhusindia.com | www.madhusindia.com